

NEXT

StageLIFT





Introducing

NEXT StageLIFT

The StageLIFT D8plus range of NEXT is designed to meet more demanding expectations for higher safety in the entertainment industry. The hoists (motors) are available as D8 plus hoists in capacities from 250 – 1000 kg, with both direct and low voltage control.

The NSL StageLIFT is an electric chain hoist which is specifically developed, rated and designed for holding loads above people. It is light and compact in design and thus perfectly suited for mobile use. All components which are in the flow of forces are statically dimensioned for the double of the nominal rated capacity. D8 Plus motors are suitable for climbing and stationary hoists without any modifications. Safety factor of minimum 8:1 in accordance with EN14492-2, IGWV SQP2:2018 and EN17206.



NEXT StageLIFT introduction

ROBUST BODY

NEXT stageLIFT hoists are engineered for the entertainment industry and feature a Lightweight Compact housing in robust aluminum casting with durable fiber-reinforced covers for very rough handling and challenging transportation. NEXT offers 3 body sizes to cover the D8 plus capacities of 250, 500, and 1000 kg.

D8 AND D8 PLUS HOISTS

In the standard finish, the motors are rated D8 plus. With a safety factor of a minimum 8:1 following EN14492-2, IGWW SQP2:2018, and EN17206. However, they can be delivered as conventional D8 hoists featuring single brake. Both motors are suitable for climbing and stationary hoists without any modifications.

SAFETY

All bearing components of the hoists are well protected against overload through a slip clutch. The hoists come with a steel chain guide plate to ensure jam-free chain feeding.

EASY TO SERVICE

All hoists are easy-to-maintain modular designed devices. Critical parts like the chain guide and load wheel, electronic board, brake, and motor, are easily accessible with standard tools. Resetting the slip clutch and inspecting the brake is simple and time-saving.

SLIP CLUTCH

The slip clutch is designed to guarantee a safe permanent connection between the load and the brake to meet higher safety requirements. Slip clutch setting screw is on the motor flange for an easy adjustment

EXTENDED LIFETIME

The maintenance-free gearbox is a solid enclosure for the entire lifetime of the hoist.

Meet the new entertainment hoist

BENEFITS & FEATURES

- Inverted application/ Standard or Self Climbing Suspension
- Swivel Body and Chain Hook, Eyebolt suspension optional
- Three body sizes for 250, 500 and, 1000 kg capacity
- Direct control as standard (optional low voltage control 24 V AC)
- Supply cable 0.5 m with red CEE 400 V 16A 4-pin plug
- Overload protection (safe: friction torque clutch outside the load force flow)
- 90% reduction of locking chains by usage of specially designed disentangle plate
- Black phosphated load chain, grade 80 steel. DAT according to DIN EN 818-7
- Robust durable fiber reinforced covers with double set ergonomic carry handles

ADAPTABLE EXTENSIONS*

- Low voltage control 24 V (AC) with limits
- Gear shaft for back-up limit switches or encoders

**only possible in production*

OPTIONAL*

- Direct control with limits
- Limit Switch



NSL2.5 StageLIFT



D8 PLUS

NSL2.5 StageLIFT 250kg

The NSL2.5 is a small yet powerful StageLIFT, the NEXT StageLIFT is specially designed for use in the entertainment industry. It is engineered with a robust body that is fiber reinforced for rough handling and transportation. The load capacity is 250 kg.

All critical components such as the chain guide, load wheel, electronic board, brake, and motor are easily accessible for maintenance thanks to the modular design. To ensure high safety requirements, the slip clutch guarantees a safe permanent connection between the load and the brake.

THE ESSENTIALS

- Standard D8 Plus
- Light & compact
- Maintenance free gearbox
- Made in Germany
- IP55 classified

Technical specifications

Productcode	NSL2.5	NSL2.5
Length	385 mm	15.16 in
Width	206 mm	8.11 in
Height	133 mm	5.24 in
Height hook to hook	360 mm	14.17 in
Load capacity (D8 plus)	250 kg	551 lbs
Lifting speed at 50Hz	4 m/min	13 ft/min
Power at 50 Hz	0.25 kW	0.34 hp
Chain pitch	4,0 x 12,2 mm	0.15 x 0.48 in
Current at full load 230V, 50Hz	1,30 A	1.30 A
Current at full load 400V, 50 Hz	0,75 A	0.75 A
Weight without chain (body)	17 kg	37.5 lbs
Chain weight	0,35 kg/m	0.23 lb/ft

Optional

- Low voltage control 24V (AC) with limits
- Direct control with limits

NSL5 StageLIFT



D8 PLUS

NSL5 StageLIFT 500kg

The NSL5 is our medium-sized StageLIFT, our NEXT StageLIFT is specially designed for use in the entertainment industry. This hoist has a load capacity of 500kg, and is engineered with a robust body that is fiber reinforced for rough handling and transportation.

All critical components such as the chain guide, load wheel, electronic board, brake, and motor are easily accessible for maintenance thanks to the modular design. To ensure high safety requirements, the slip clutch guarantees a safe permanent connection between the load and the brake.

THE ESSENTIALS

- Standard D8 Plus
- Light & compact
- Maintenance free gearbox
- Made in Germany
- IP55 classified

Technical specifications

Productcode	NSL5	
Length	411 mm	16.18 in
Width	321 mm	12.68 in
Height	154 mm	6.06 in
Height hook to hook	405 mm	15.94 in
Load capacity (D8 plus)	500 kg	1.102 lbs
Lifting speed at 50Hz	4 m/min	13 ft/min
Power at 50 Hz	0.33 kW	0.45 hp
Chain pitch	5.6 x 17.0 mm	0.22 x 0.67 in
Current at full load 230V, 50Hz	1.50 A	1.50 A
Current at full load 400V, 50 Hz	0.87 A	0.87 A
Weight without chain (body)	28 kg	61.7 lbs
Chain weight	0,69 kg/m	0.46 lb/ft

Optional

- Low voltage control 24V (AC) with limits
- Direct control with limits



D8 PLUS



NSL10 StageLIFT 1.000kg

The strongest in our range is the NSL10, this NEXT StageLIFT is specially designed for heavy-duty use in the entertainment industry. It is engineered with a robust body that is fiber reinforced for rough handling and transportation. The load capacity is 1.000 kg.

All critical components such as the chain guide, load wheel, electronic board, brake, and motor are easily accessible for maintenance thanks to the modular design. To ensure high safety requirements, the slip clutch guarantees a safe permanent connection between the load and the brake.

THE ESSENTIALS

- Standard D8 Plus
- Light & compact
- Maintenance free gearbox
- Made in Germany
- IP55 classified

Technical specifications

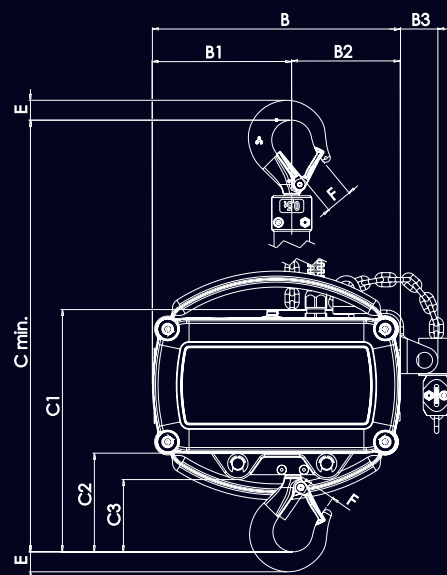
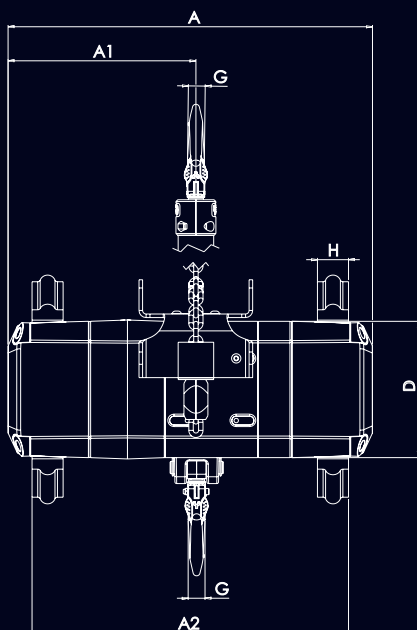
Productcode	NSL10	
Length	520 mm	20.47 in
Width	364 mm	14.33 in
Height	185 mm	7.28 in
Height hook to hook	500 mm	19.69 in
Load capacity (D8 plus)	1.000 kg	2.204 lbs
Lifting speed at 50Hz	4 m/min	13 ft/min
Power at 50 Hz	0,66 kW	0.9 hp
Chain pitch	8,0 x 22,0 mm	0.31 x 0.86 in
Current at full load 230V, 50Hz	2,90 A	2,90 A
Current at full load 400V, 50 Hz	1,70 A	1,70 A
Weight without chain (body)	47 kg	103.6 lbs
Chain weight	1,44 kg/m	0.97 lb/ft

Optional

- Low voltage control 24V (AC) with limits
- Direct control with limits

Dimensions of the models

Model	A	A1	A2	B	B1	B2	B3	C min.	C1	C2	C3	D	E	E1	F	F1	G	G1	H
NSL2.5	385	215	331	206	99	107	-	400	234	92	69	133	22	17	30	25	19	15	35
NSL5	411	212	357	279	157	122	42	540	273	111	81	154	22	-	30	-	19	-	35
NSL10	520	252	458	329	188	141	35	540	344	147	99	185	29	-	35	-	21	-	35



You're in control!

StageLIFT Hoist Control

The NEXT StageLift Hoist Control was designed to fulfill all the requirements of clients who are looking for a cost efficient hoist controller with premium quality and all basic functions. It is equipped with high quality Schneider Electric / Eaton parts and housed in a robust metal box. The controller is designed, engineered and manufactured in Europe.

The NEXT StageLIFT Hoist control series starts with entry level models in a 4 channel peli case and 8 channel 19" controller. These are standalone units.

Hoist Controllers

4 & 8 Channels





NSL-HC04 Controller



NSL-HC04 Controller 4CH

NEXT StageLIFTS can be controlled with stand-alone hoist controllers, the NSL-HC04 is a stand-alone hoist controller that connects up to 4 motorhoists controller for all popular direct controlled chainhoists.

The main feature of the standard NSL-HC04 unit is the link option for up & down and E-STOP buttons, this enables easy control for a larger number of hoists, simultaneous start and stop control on the up/down buttons) and centralizes the emergency stop button.

The controller is also equipped with switches for the selection of single inverted channels, MPA: Manual Phase Align circuit breakers protect all outputs, in case of emergency all 3 phases are disconnected.

Mains input (3x 32A, 5wire), equipped with CEE (3P+N+E) 32A inlet plug.

Technical specifications

Productcode	NSL-HC04
Height	175 mm
Width	455 mm
Depth	360 mm
Working Power	400V +N+PE
Weight	9 kg
Color	Black

THE ESSENTIALS

- Controls up to 4 motors in stand-alone operation
- Fully compatible with the Larger NSL-HC08
- Robust lightweight plastic case.
- MPA: Manual Phase Align (Up on a NSL MC04 is up)
- Manual phase inversion switch for each output.
- Phase indicators to easily check if the 3 phases are available.

Designed and built in Europe to the highest international safety standards!

NSL-HC04 Details



Flexible outputs:

- 4x individual CEE16 4pole 16A outputs
- 1x 16PIN multichannel industrial rectangular connector, Harting (Han 16E)® compatible



Remote control NSL-MC:

The NSL Remote is a simple remote designed to control Up/Down and E-STOP of NLS HC series controllers.

The remote features a 10-meter long (XLR neutrik) cable with a 5-pin connector that can be easily connected to a motor controller.

- Up/Down and E-STOP buttons are synchronized with all linked controllers.
- The length of the cable can be adjusted according to client's needs.

MORE IN DETAIL

Linking controllers

- Several units can be linked in master/slave using the link in/out on the back panel
- Easy control for a larger number of chain hoists.
- Simultaneous hoist control using the UP/DOWN buttons on the master controller.
- Centralized Emergency stop on the master controller.

Circuit breaking & power

- 1 x 16A 4pole circuit breaker protects ALL outputs, In case of emergency all 3 phases AND the neutral are disconnected.
- 1x C16 (16A - 1P+N) 2-POLE automatic circuit breaker for control circuit
- Mains input cable (3x 32A, 5wire), equipped with CEE (3P+N+E) 32A inlet plug





NSL-HC08 Controller



NSL-HC08 Controller 8CH

NEXT StageLIFTS can be controlled with stand-alone hoist controllers, the NSL-HC08 is a stand-alone hoist controller that connects up to 8 motorhoists.

The main feature of the standard NSL-HC08 unit is the link option for up & down and E-STOP buttons, this enables easy control for a larger number of hoists, simultaneous start and stop control on the up/down buttons) and centralizes the emergency stop button.

The controller is also equipped with switches for the selection of single inverted channels, automatic phase align (APA on input plug and the Automatic Voltage Metering (AVM).

The remote control input is XLR and has a LED indicator, circuit breakers protect all outputs, in case of emergency all 3 phases are disconnected.

Next to this circuit breakers are added for the control circuit and the auxiliary output. Mains input (3x 32A, 5wire), equipped with CEE (3P+N+E) 32A inlet plug. CEE (3P+N+E) outlet socket (3x 32A, 5wire) for bypass

Technical specifications

Productcode	NSL-HC08
Height	184 mm
Width	482 mm (19" rack)
Depth	430 mm
Working power	400V +N+PE
Weight	13,8 kg
Color	Black

THE ESSENTIALS

- Controls up to 8 motors in stand-alone operation
- Fully compatible with the smaller NSL-HC04
- Extremely robust 19"/5U metal housing.
- Automatic Phase Align (Up on a NSL MC08 is always up)
- Auto-enabling working light
- Manual phase inversion switch for each output.
- Phase indicators to easily check if the 3 phases are available.

Designed and built in Europe to the highest international safety standards! According the BGV D8 and igvw SQ P2 D8 Plus 400 V AC three-phase drives.

NSL-HC08 Details



Flexible outputs:

- 4x individual CEE16 4pole 16A outputs
- 2x 16PIN multichannel industrial rectangular connector, Harting (Han 16E)® compatible
- 2x 19PIN multichannel industrial round connector, Socapex 419 ® compatible
- 1x earthed 16A powerCON TRUE1 mains outlet: auxiliary output for all kinds of use.



Remote control NSL-MC:

The NSL Remote is a simple remote designed to control Up/Down and E-STOP of NLS HC series controllers.

The remote features a 10-meter long (XLR neutrik) cable with a 5-pin connector that can be easily connected to a motor controller.

- Up/Down and E-STOP buttons are synchronized with all linked controllers.
- The length of the cable can be adjusted according to the client's needs.

MORE IN DETAIL

Linking controllers

- Several units can be linked in master/slave using the link in/out on the back panel
- Easy control for a larger number of chain hoists.
- Simultaneous hoist control using the UP/DOWN buttons on the master controller.
- Centralized Emergency stop on the master controller.
- "Slave" indicator led.

Circuit breaking & power

- 2 x 16A 4pole circuit breaker protects 2 x 4 outputs, In case of emergency all 3 phases AND the neutrals are disconnected.
- Two C16 (16A - 1P+N) 2-POLE automatic circuit breakers for control circuit + auxiliary output.
- Mains input cable (3x 32A, 5wire), equipped with CEE (3P+N+E) 32A inlet plug
- CEE (3P+N+E) outlet socket (3x 32A, 5wire) for bypass



When working in a dark environment, a blue light strip will automatically turn on as soon as hands come near the controller. This way you can be sure you are using the right button when working in dark environments.

StageLIFT Accessories

To make things complete

The NEXT StageLift Hoist Control was designed to fulfill all the requirements of clients who are looking for a cost efficient hoist controller with premium quality and all basic functions. It is equipped with high quality Schneider Electric / Eaton parts and housed in a robust metal box. The controller is designed, engineered and manufactured in Europe.

The NEXT StageLIFT Hoist control series starts with entry level models in a 4 channel peli case and 8 channel 19" controller. These are standalone units.

StageLIFT accessories

The StageLIFT series has a couple of accessories available, such as remote control, raincover & chain bags

Chain bags

NSL-BAG2.5L

Large chain bag for NSL2.5 up to 24m chain



NSL-BAG5L

Large chain bag for NSL5 up to 24m chain



NSL-BAG10L

Large chain bag for NSL10 up to 24m chain



Rain covers

NSL-COVER2.5

Rain cover for NSL2.5 StageLIFT



NSL-COVER5

Rain cover for NSL5 StageLIFT



NSL-COVER10

Rain cover for NSL10 StageLIFT

